

REBLOC RB120LQ_8

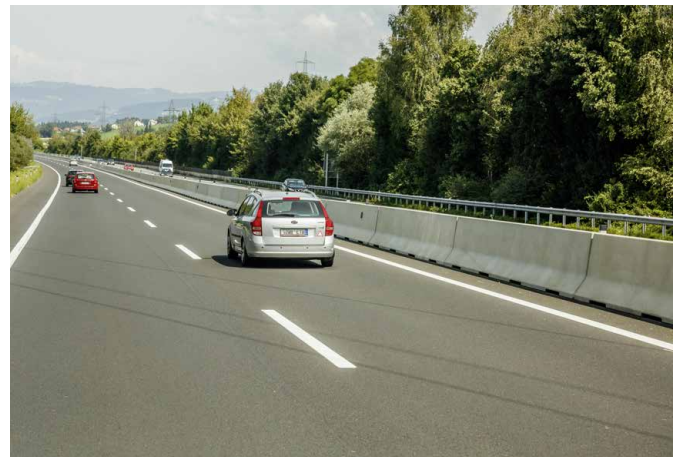
Standard element

Installation

Free standing

H2

W5



Containment level

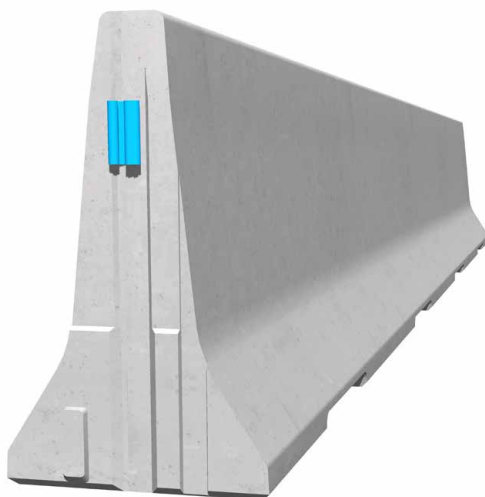
H2 (covers H1, N1, T3, T2 and T1)

Working width

W5 (covers W6, W7 and W8)

Impact severity level

ASI B



Precast concrete vehicle restraint systems are used for long lasting protection on the central reservation and along the verge. Vehicles deviating from the road are retained or redirected and prevent a dangerous breakthrough onto the opposite carriageway. As a result road users and persons as well as objects at the roadside are well protected.

In addition to the safety of road users, priorities in the development of our systems are also economic efficiency and return on investment. In addition, a long life as well as low environmental impact are important product features. As with all REBLOC® products, the 120LQ_8 has the integrated coupling, which guarantees a high protection against breakthrough and the elements can be quickly connected to each other.

 0115 983 2304

 sales@hardstaffbarriers.com | enquiries@hardstaffbarriers.com

 A Division of Hill & Smith Ltd, Hillside, Gotham Road, Kingston-on-Soar, Nottingham, NG11 0DF

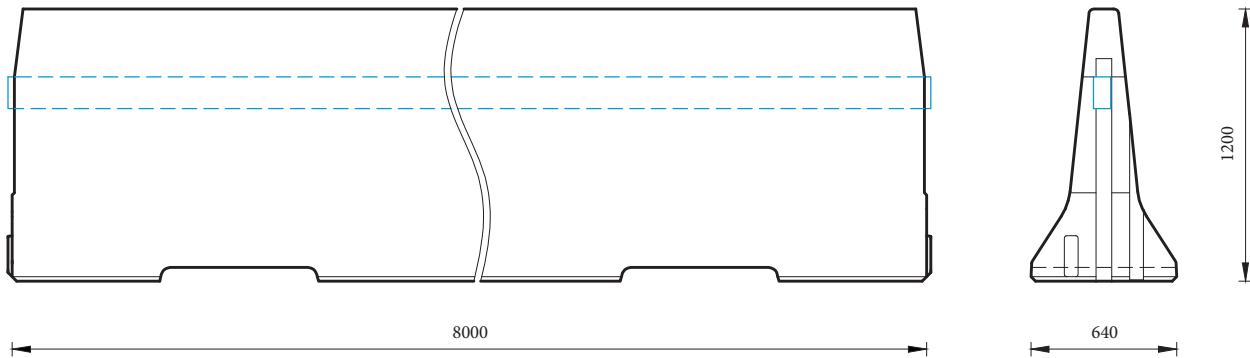
REBLOC RB120LQ-8

Standard element

H2

W5

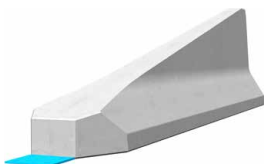
Technical data



all dimensions in mm

Containment level	H2
Working width	W5
Impact severity level	ASI B
CE certification	✓
Installation	free standing on asphalt/concrete
Terminal elements	required; REBLOC 120Q_5T (4 x M24 adhesive anchor)
Dimensions L x W x H in mm	8000 x 640 x 1200 mm
Weight/element	6260 kg
Elements/truck (24 t)	3 elements
Minimum installation length	80 m (not including terminal elements)
Curve radius	$r \geq 265$ m
Coupling/exposed steel parts	fully integrated, exposed parts hot-dip galvanized

System element - combinable



Terminal element
REBLOC 120Q_5T
(inclination 1:5)