

REBLOC RB110-8

Standard element

Installation

Free standing

H4b

W6



Containment level

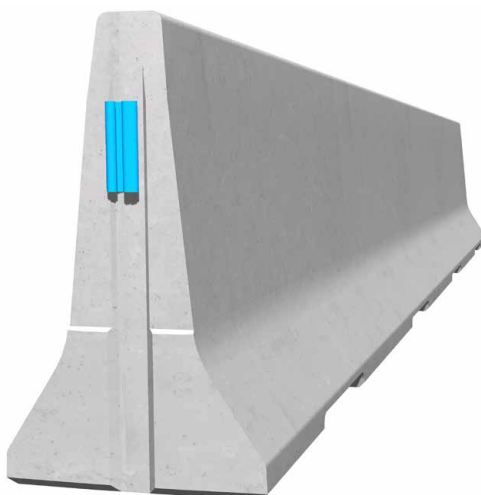
H4b (covers H3, H2, H1, N1, T3, T2 and T1)

Working width

W6 (covers W7 and W8)

Impact severity level

ASI B



Precast concrete vehicle restraint systems are used for long lasting protection on the central reservation and along the verge. Vehicles deviating from the road are retained or redirected and prevent a dangerous breakthrough onto the opposite carriageway.

In addition to the safety of road users, priorities in the development of our systems are also economic efficiency and return on investment. In addition, a long life as well as low environmental impact are important product features. As with all REBLOC® products, the 110_8 has the integrated coupling, which guarantees a high protection against breakthrough and the elements can be quickly connected to each other.

 0115 983 2304

 sales@hardstaffbarriers.com | enquiries@hardstaffbarriers.com

 A Division of Hill & Smith Ltd, Hillside, Gotham Road, Kingston-on-Soar, Nottingham, NG11 0DF

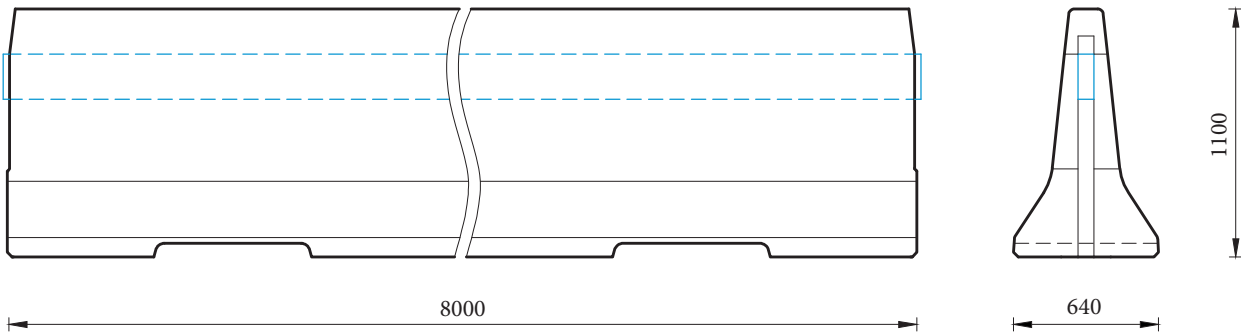
REBLOC RB110-8

Standard element

H4b

W6

Technical data



all dimensions in mm

Containment level	H4b
Working width	W6
Impact severity level	ASI B
Vehicle intrusion	VI8
Installation	free standing on asphalt/concrete
Terminal elements	required; REBLOC 110L_4.5T (4 x M24 adhesive anchor)
Dimensions L x W x H in mm	8000 x 640 x 1100 mm
Weight/element	6000 kg
Elements/truck (24 t)	4 elements
Minimum installation length	104 m (not including terminal elements)
Curve radius	$r \geq 108$ m, smaller radii in comb. with REBLOC 110_4 and REBLOC 110_2
Coupling/exposed steel parts	fully integrated, exposed parts hot-dip galvanized
CE certification	✓

System element - combinable



Terminal element
REBLOC 110L_4.5T
(inclination 1:5)