



HARDSTAFF
BARRIERS



REBLOC®

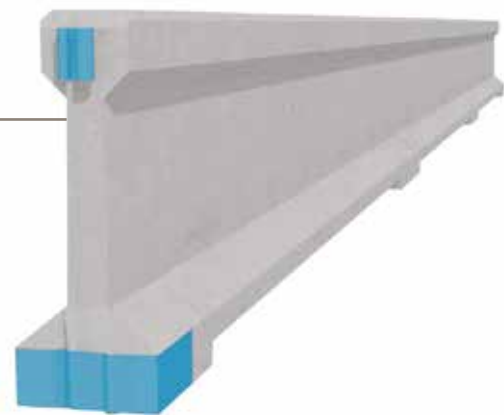
RB80SA_12

REBLOC® Temporary systems ensure smooth traffic flow in congested areas. They separate the traffic lanes from the construction area, protect the road workers and minimize the consequences of errant vehicles.

The REBLOC® RB80SA_12 is ideal for narrow road widths. The slim system width of 300 mm and the low working width W1 are important determinants, if little space is available. Each element is anchored with only 4 anchor pins, which can be easily installed and removed.

Thanks to the interlocking coupling, there are no loose parts, which prevent unauthorized removal of pieces and protects fully against vandalism.

The large contact areas with integrated elastomer pads result in a low surface pressure.



Temporary System

Features and Benefits

- 12-metre long concrete units
- High protection of construction sites and traffic lanes due to low working width W1
- Slim system width of only 300 mm
- Easy and quick installation, relocation and removal
- Tested in accordance with EN 1317-2

N2

W1

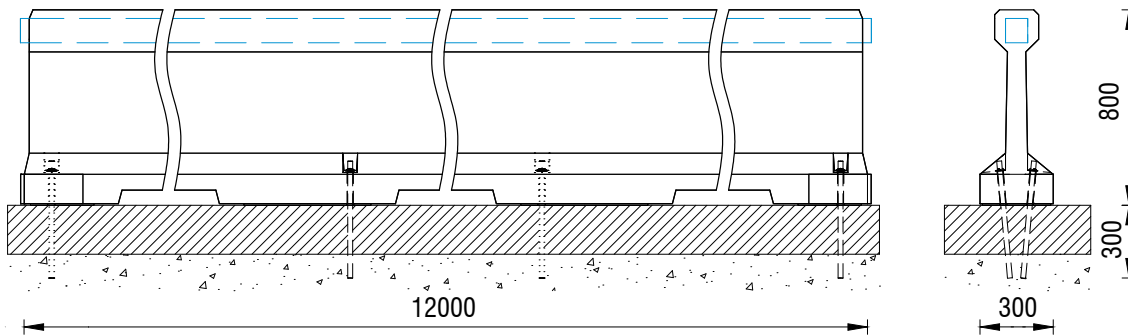
REBLOC RB80SA_12

Standard Element

N2

W1

Specifications



all dimensions in mm

Containment level	N2
Working width	W1
Impact severity level	ASI B
Construction	anchored asphalt (4 x anchor pins per element)
Terminal element	not necessary, optional available
Dimensions L x W x H in mm	12000 x 300 x 800 mm
Weight/element	3000 kg
Pcs./truck (24 t)	8 pieces
Minimum installation length	120 m (without terminal element)
Curve radius	$r \geq 260$ m
Concrete quality	C35/45, exposure class according to national requirements
Coupling/exposed steel parts	fully integrated, exposed parts hot-dip galvanized
Miscellaneous	elastomer pads in contact areas for protection of the road surface

System Element - Combinable



Terminal Element
RB80S_4T (inclination 1:5)



+44(0)115 983 2304
enquiries@hardstaffbarriers.com
www.hardstaffbarriers.com

Head Office: Hardstaff Barriers Ltd, Hillside, Gotham Road,
Kingston-on-Soar, Nottingham NG11 0DF